



HYDAC INTERNATIONAL

Drive Center Area / 驅動核心領域

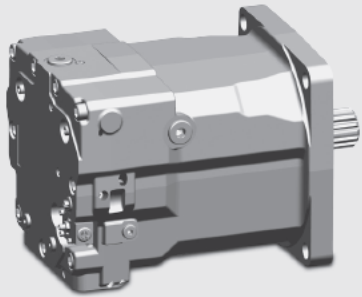
Speed sensor detects the motor rotation speed.
加裝speed sensor以偵測油壓馬達轉速



4.3 Speed sensor

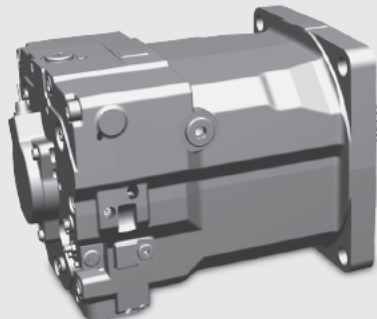
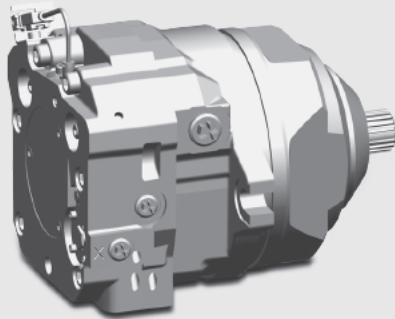
Speed sensors detect the motor rotation speed electronically. The following illustrations are given as examples. Speed sensors provided by HYDAC can be used to detect the rotation speed and the direction of rotation.

Without speed sensor



Pulse data		
Operation voltage range UB		7 to 32 V
Nominal voltage		15 V
Amplitude of signal outputs:	High level	$\geq (+UB - 0.5 \text{ V})$
	Low level	$\leq +0.5 \text{ V}$
Operating temperature range		-32 °C to +140 °C

With speed sensor for MPF200 / MPA200 / MPV200 / MPR200



Speed Sensor
HSS 210

2 channel

Screw-in thread M12



Speed Sensor
HSS 220

2 channel

Screw-in thread M18